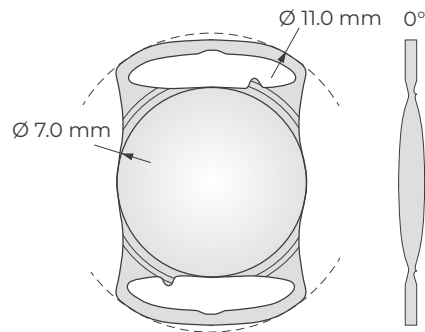


# ASPIRA-aXA

## TECHNICAL INFORMATION

### ASPIRA-aXA

XL-OPTIC  
MONOFOCAL  
MONOBLOC  
ACRYLIC  
ASPHERIC  
PRELOADED



#### Type

- foldable posterior chamber IOL, one-piece
- plate with cut-out haptics
- available in preloaded Safeloader autoloading container or Compact Line

#### Material

- hydrophilic acrylic with UV-absorber
- water content 26 %
- Abbe number 56
- refractive index 1.46

#### Specifics

- aberration free
- aspheric anterior surface
- posterior surface with 360° lens epithelial cell barrier

#### Diopter Range

Sphere in 0.5 D steps  
(optic shape)

10.0 to 30.0 D  
(biconvex)



Sphere in 1.0 D steps  
(optic shape)

-10.0 to 9.0 D  
(concave-convex)



#### Est. A-const

For a complete list of recommended constants,  
please visit [www.humanoptics.com](http://www.humanoptics.com)



SL = Safeloader | CL = Compact Line

CE0044

 HumanOptics Holding AG

Spardorfer Str. 150 · 91054 Erlangen · Germany · Phone +49 (0) 9131 50 66 5-0 · Fax +49 (0) 9131 50 66 5-90  
mail@humanoptics.com · www.humanoptics.com